

## Anti-Rotation Quick Coupling Valve

### Description

Anti-Rotation Quick Coupling Valves are the ultimate design for safety and convenience in quick couplers. Available in 1 1/2", 1", and 3/4" inlet sizes, the anti-rotation stabilizing wings are cast in solid red brass as an integral part of the valve body.

### Application

Anti-rotation WingThing™ provide horizontal and vertical stability for direct burial quick coupling valve bodies. Wings and fins prevent accidental unscrewing of valves over time in underground installations, without after-market fixes.

### Features

#### Anti-rotation Quick Coupling Valves

- Patented solid red brass stabilization wings stop body turning in direct burial applications-lateral fins prevent sinking.
- Lid stays closed by strong positive action spring.
- High visibility TuffTop™ or brass lids available.
- Locking tops for vandal resistance and locking lavender tops for non-potable water sources.
- Constructed of solid red brass for durability, economy, and recyclability.
- Body drain hole minimizes collection of debris.
- Chevron-shaped wiper seal to reduce leakage around key while inserted.
- Corrosion resistant stainless steel spring and self-flushing brass plunger. Available with Acme Threaded outlet (QB44 Series only).
- Optional British Standard Pipe Thread versions available (BS).
- WingThing™ anti-rotation models, patent number 5,738,131
- Five-year warranty.

#### Two-piece Models, Additional Features

- Two-Piece valve body provides safe, easy maintenance and service while under pressure.
- Upper body replaceable without removing lower housing from the ground.



WingThing™

### Specifications

The quick coupling valve shall be a (one, two) piece type using a (single, double) slot keyway, or acme thread. The valve body and coupler key shall be made of cast brass. The lid shall be made of brass or polypropylene. Lavender TuffTop™ locking lid shall be available for non-potable recycled water. The seat disc plunger shall be spring-loaded to maintain the valve in a closed position at zero inlet pressure. Coupler seal shall be removable from the top while valve is under pressure. The lid shall be spring loaded for positive closing and made of 302 stainless steel spring temper cress wire.

The valve shall have anti-rotation wings as an integral part of the body casting to prevent loosening. The key shall be of cast red brass with chrome-plated handle (QB33 style has integrated cast handle).

The valve shall have a \_\_\_\_\_ inch inlet and be capable of \_\_\_\_\_ gpm flow at \_\_\_\_\_ psi maximum pressure loss. The valve shall be opened and closed by a [single, double] lug coupler key, or acme threads having a \_\_\_\_\_ inch Male NPT outlet thread, and/or a \_\_\_\_\_ inch Female NPT outlet thread.

### To Specify:

QB44	LRC	AT	AR	10
Series	Lid	Option	Option	Size

## WingThing™ Anti-rotation Models

Model Descriptions		
Model No.	Two-Piece, Anti-rotation	Dimensions
QB33RCAR07	3/4", double slot, yellow TuffTop™ - spring loaded, anti-rotation	Height 4 1/8" Width 6 1/2"
QB33BLAR07	3/4", double slot, brass lid - spring loaded, anti-rotation	
QB33LRCAR07	3/4", double slot, locking yellow TuffTop™ - spring loaded, anti-rotation	
QB33NPAR07	3/4", double slot, locking lavender TuffTop™ - spring loaded, anti-rotation	
QB44RCAR10	1", single slot, yellow TuffTop™ - spring loaded, anti-rotation	Height 6" Width 8"
QB44BLAR10	1", single slot, brass lid - spring loaded, anti-rotation	
QB44LRCAR10	1", single slot, locking yellow TuffTop™ - spring loaded, anti-rotation	
QB44NPAR10	1", single slot, locking lavender TuffTop™ - spring loaded, anti-rotation	
OPTIONS	For BSPT add (BS) to model number	

Model Descriptions		
Model No.	Two-Piece, Acme Thread, Anti-rotation	Dimensions
QB44RCATAR10	1", acme thread, yellow TuffTop™ - spring loaded, anti-rotation	Height 6" Width 8"
QB44BLATAR10	1", acme thread, brass lid - spring loaded, anti-rotation	
QB44LRCATAR10	1", acme thread, locking yellow TuffTop™ - spring loaded, anti-rotation	
QB44NPATAR10	1", acme thread, locking lavender TuffTop™ - spring loaded, anti-rotation	
OPTIONS	For BSPT add (BS) to model number	

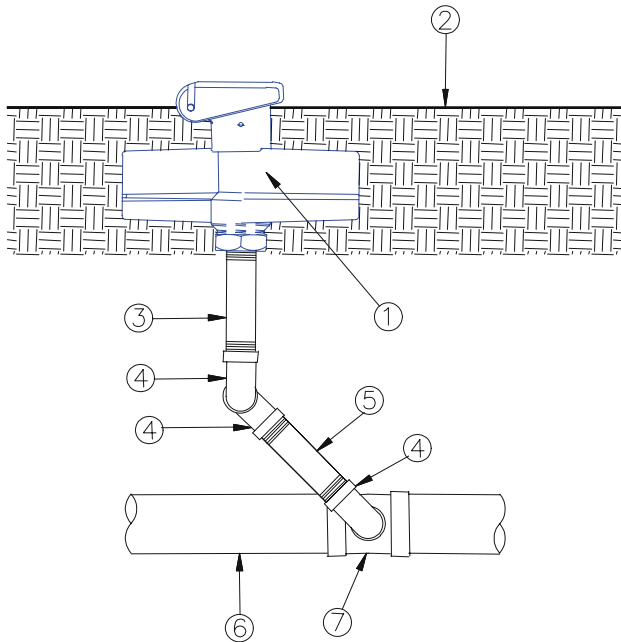
Model Descriptions		
Model No.	One-Piece, Anti-rotation	Dimensions
QB3RCAR07	3/4", double slot, yellow TuffTop™ - spring loaded, anti-rotation	Height 4 1/8" Width 6 1/2"
QB3BLAR07	3/4", double slot, brass lid - spring loaded, anti-rotation	
QB3LRCAR07	3/4", double slot, locking yellow TuffTop™ - spring loaded, anti-rotation	
QB3NPAR07	3/4", double slot, locking lavender TuffTop™ - spring loaded, anti-rotation	
QB5RCAR10	1", double slot, yellow TuffTop™ - spring loaded, anti-rotation	Height 6" Width 8"
QB5BLAR10	1", double slot, brass lid - spring loaded, anti-rotation	
QB5LRCAR10	1", double slot, locking yellow TuffTop™ - spring loaded, anti-rotation	
QB5NPAR10	1", double slot, locking lavender TuffTop™ - spring loaded, anti-rotation	
QB7RCAR15	1 1/2", double slot, yellow TuffTop™ - spring loaded, anti-rotation	Height 6" Width 8"
QB7BLAR15	1 1/2", double slot, brass lid - spring loaded, anti-rotation	
QB7LRCAR15	1 1/2", double slot, locking yellow TuffTop™ - spring loaded, anti-rotation	
QB7NPAR15	1 1/2", double slot, locking lavender TuffTop™ - spring loaded, anti-rotation	
OPTIONS	For BSPT add (BS) to model number	

Coupler Key for Two-Piece Quick Coupler	
QB33K07	3/4" Male & 1/2" Female, single lug for QB33RC07, QB33BL07, QB33LRC07, QB33NP07, QB33RCAR07, QB33BLAR07, QB33LRCAR07, QB33NP07
QB44K10	1" Male & 3/4" Female, single lug for QB44RC10, QB44BL10, QB44LRC10, QB44NP10, QB44RCAR10, QB44BLAR10, QB44LRC10, QB44NP10
QB44KAT10	1" Male & 3/4" Female, acme thread for QB44RCAT10, QB44BLAT10, QB44LRCAT10, QB44NPAT10, QB44RCTAR10, QB44BLATAR10, QB44LRCATAR10, QB44NPATAR10
QB66K12	1 1/4" female, single lug for QB6612, QB66RC12, QB66BL12, QBRB5BL10, QBRB5RC10, QBRB5LRC10, QBRB5NP10
TLK	Lock top key for quick coupling valves

Coupler Key for One-Piece Quick Coupler	
QB33K07	3/4" Male & 1/2" Female, single lug for QB3RC07, QB3BL07, QB3LRC07, QB3NP07, QB3RCAR07, QB3BLAR07, QB3LRCAR07, QB3NPAR07
QB33SK07	3/4" Male & 1/2" Female, single lug for QB3SBLO7
QB55K10	1" Male & 3/4" Female, double lug for QB5RC10, QB5LRC10, QB5BL10, QB5NP10, QB5RCAR10, QB5LRCAR10, QB5BLAR10, QB5NPAR10
QB66K12	1 1/4" female, single lug for QB6612, QB66RC12, QB66BL12, QBRB5BL10, QBRB5RC10, QBRB5LRC10, QBRB5NP10
QB7DK15	1 1/2" Male & 1" Female, double lug for QB7RC15, QBBL15, QB7NP15, QB7LRC15, QB7RCAR15, QB7BLAR15, QB7NPAR15
TLK	Lock top key for quick coupling valves

## Installation

Install all QVC's on swing joint assemblies and hand tighten. Use only Teflon tape as sealant. Position and level as required to grade.



### WingThing™ Installation Detail (Anti-rotation Quick Coupling Valve)

- ① Buckner series anti-rotation quick coupler valve WingThing™ Model # \_\_\_\_\_
- ② Finish grade
- ③ \_\_\_\_\_ PVC schedule 80 nipple (\_\_\_\_\_ min. length)
- ④ PVC street ell
- ⑤ \_\_\_\_\_ PVC schedule 80 nipple (\_\_\_\_\_ min. length)
- ⑥ Lateral line piping
- ⑦ Lateral line pipe fitting

NOTE: Teflon tape all threaded joints.

## WINGINST

QB - One Piece Body Design			
Pressure Loss in PSI			
	All QB3	All QB5	All QB7
GPM	Series	Series	Series
5	0.8		
10	1.8		
15	4.1		
20	7.2	1.0	
30		3.0	
40		6.3	
50		9.2	2.8
60		13.0	3.6
70			4.9
80			6.6
100			11.0

QB - One Piece Body Design - Metric			
Pressure Loss in Bars			
	All QB3	All QB5	All QB7
m <sup>3</sup> /hr	Series	Series	Series
1.13	0.05		
2.25	0.12		
3.38	0.28		
4.50	0.49	0.07	
6.75		0.20	
9.00		0.43	
11.25		0.63	0.19
13.50		0.88	0.24
15.75			0.33
18.00			0.45
22.50			0.75

QB - One Piece Body Design - Metric			
Pressure Loss in kPa			
	All QB3	All QB5	All QB7
l/min	Series	Series	Series
19.0	5.5		
38.0	12.4		
57.0	28.2		
76.0	49.5	6.9	
114.0		20.6	
152.0		43.3	
190.0		63.3	19.3
228.0		89.4	24.8
266.0			33.7
304.0			45.4
380.0			75.6

QB - Two Piece Body Design			
Pressure Loss in PSI			
	All QB3	All QB5	All QB7
GPM	Series	Series	Series
5	1.0		
10	2.0		
15	4.3		
20	7.6	1.0	0.7
30		3.9	3.0
40		8.3	4.5
50		13.8	8.2
60			10.3
70			14.2

QB - Two Piece Body Design - Metric			
Pressure Loss in Bars			
	All QB3	All QB5	All QB7
m <sup>3</sup> /hr	Series	Series	Series
1.13	0.07		
2.25	0.14		
3.38	0.29		
4.50	0.52	0.07	0.05
6.75		0.27	0.20
9.00		0.56	0.31
11.25		0.94	0.56
13.50			0.70
15.75			0.97

QB - Two Piece Body Design - Metric			
Pressure Loss in kPa			
	All QB3	All QB5	All QB7
l/min	Series	Series	Series
19.0	6.9		
38.0	13.8		
57.0	29.6		
76.0	52.3	6.9	4.8
114.0		26.8	20.6
152.0		57.1	30.9
190.0		94.9	56.4
228.0		89.4	70.8
266.0			97.6

## **Additional QC Valve Specifications**

<b>Quick Coupling Valve - One Piece Models</b>	<b>QCVASPC</b>
<b>Quick Coupling Valve - Two Piece Models</b>	<b>QCV2SPC</b>

