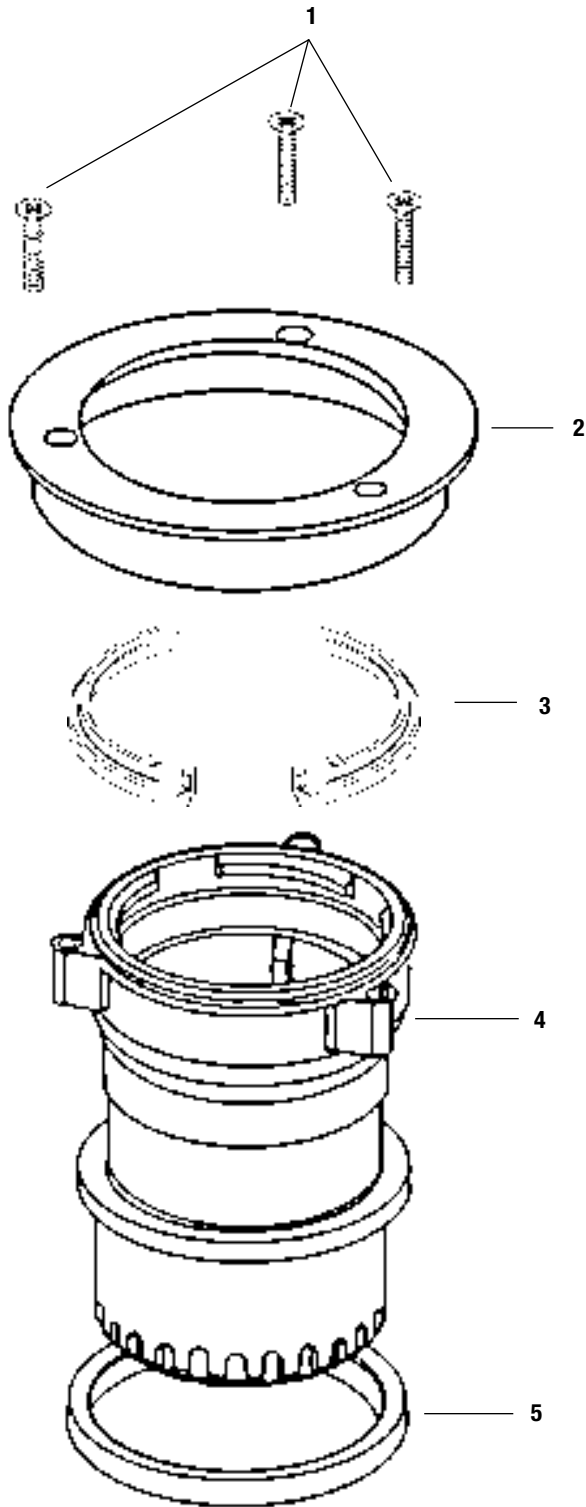


**EAGLE'S NEST™ ROTOR ADAPTORS
FOR 47/51DR SERIES ROTORS**



Ref.	Part Description	Qty.	Part No.
1	Screw, 3/4" Self Tapping #10 Thd.	3	211487
2	Cover, Eagle's Nest	1	211482
3	Snap Ring, Eagle's Nest 47/51	1	211133-01
4	Adaptor, Eagle's Nest	1	-
5	Seal, U-cup (Red)	1	211239