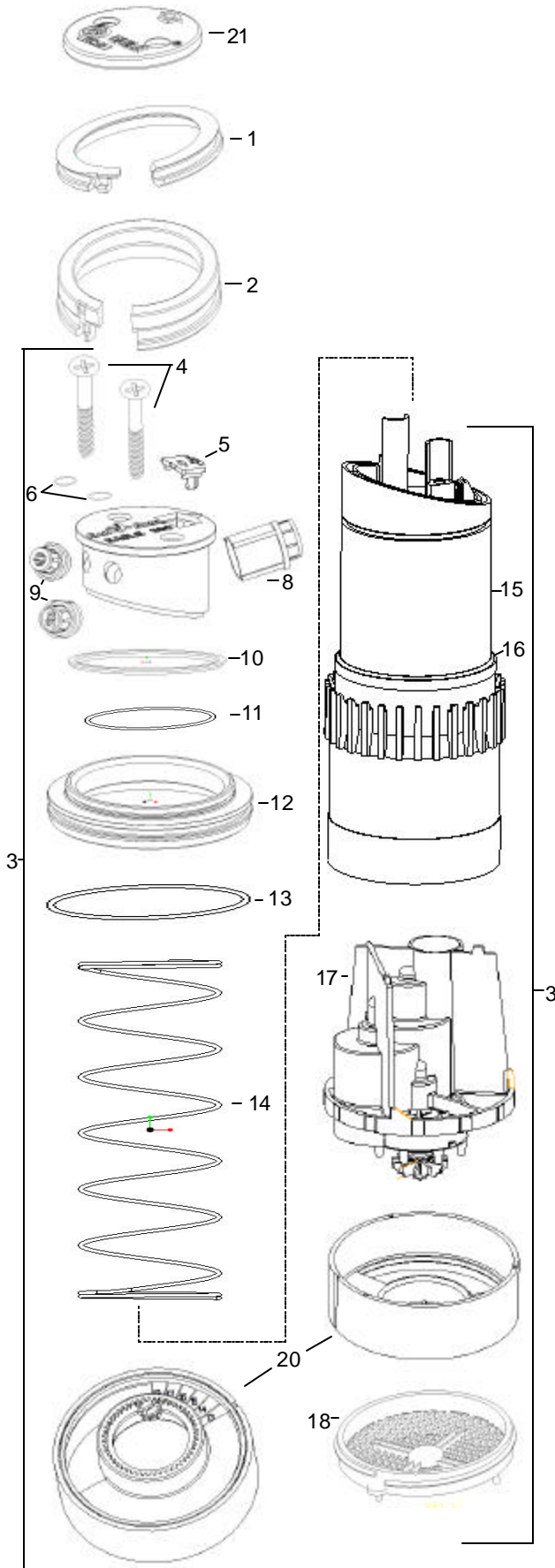


EAGLE 1100 SERIES INTERNAL ASSEMBLY



Ref.	Part Description	Qty	1100-E	1100-S	1100-H
<b>SNAP RINGS</b>					
1	Snap Cover (all models)	1	212204-01	212204-01	212204-01
<b>RUBBER COVER KIT</b>					
2	Rubberized Snap Cover	1	212491-01	212491-01	212491-01
21	Rubber Cover, Housing	1	212266	212266	212266
NS	Rubber Case Cover	1	212490	212490	212490
6	O-Ring, Screw	2	209778	209778	209778

<b>INTERNAL ASSEMBLY</b>					
3	Internal Assembly (A)	1	212438-xx	212438-xx	212438-xx

<b>COVER ASSEMBLY</b>					
4	Screw, Self Tapping #1/4-15	2	210975	210975	210975
5	Insert, Diffuser Housing -01,02,03,04	1	212217-xx	212217-xx	212217-xx
5A	Insert, Diffuser Housing (Purple)	1	212217-09	212217-09	212217-09
6	O-Ring, Screw	2	209778	209778	209778

<b>NOZZLES (Please specify nozzle size when ordering - See below)</b>					
-	Nozzle/Housing Kit	1	212602-xx	212602-xx	212602-xx
-	Nozzle/Housing Kit (Purple)	1	212603-xx	212603-xx	212603-xx
7	Housing, Nozzle	1	-	-	-
8	Nozzle Assembly, Range	1	212604-xx	212604-xx	212604-xx
9	Nozzle Assembly, Spreader Dual	1	212605-xx	212605-xx	212605-xx
10	Seal, Retract (Nozzle Housing)	1	-	-	-
18	Screen, Riser	1	212178	212178	212178
-	Nozzle Kit without Housing	1	212654-xx	212654-xx	212654-xx
-	Nozzle Kit without Housing (Purple)	1	212655-xx	212655-xx	212655-xx

<b>BEARING/RISER-MOTOR ASSEMBLY</b>					
11	O-Ring Nozzle Housing	1	212255	212255	212255
12	Guide, Bearing	1	-	-	-
13	O-Ring, Bearing Guide	1	212383	212383	212383
14	Spring, Retract	1	-	-	-
15	Riser Motor Assembly	1	212435	212435	212435
16	Seal, Riser-Pop-Up	1	212172	212172	212172
17	Motor Housing (Replacement)	1	212102	212102	212102
20	Stator Assembly - Common	1	212606	212606	212606

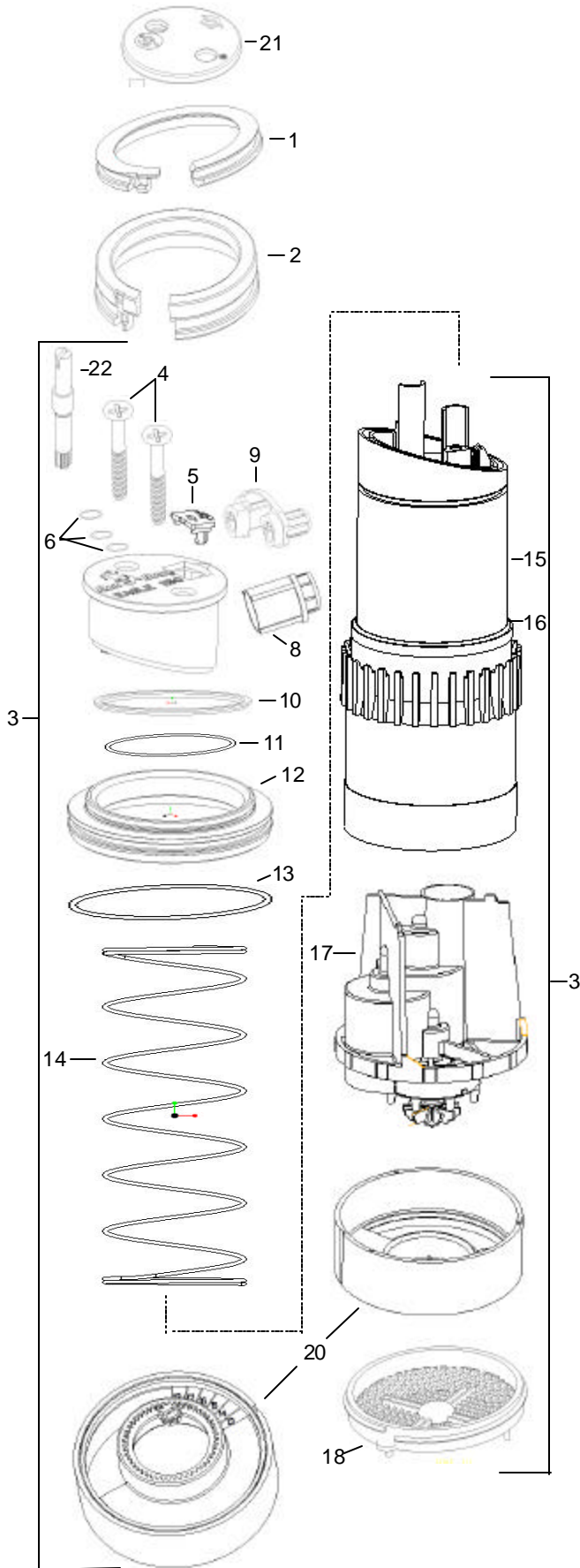
**CASE ASSEMBLY** (Please refer to EAGLE 900/950 Series, catalog number 468)  
 NS = Not Shown

Specify nozzle size when ordering. Available in #48, 57, 63, 66  
 xx - Indicated nozzle size; i.e., #48 Blue, #57 Yellow, #63 Orange, #66 Green

Color of Range Nozzle	Number	Electric Case Pressure Setting				Hyd/SAM
		Psi (bars)				
		70(4,8)	80(5,5)	100(6,9)	120 (8,3)	Set per Base Psi
Blue	#48	70	80	100	120	PRS/Case
	Set Stator to: ---	6	7	9	10	8 thru 11 (Line Psi)
Yellow	#57	70	80	100	120	PRS/Case
	Set Stator to: ---	8	9	10	11	8 thru 13 (Line Psi)
Orange	#63	70	80	100	120	PRS/Case
	Set Stator to: ---	9	12	14	14.5	8 thru 15 (Line Psi)
Green	#66	70	80	100	120	PRS/Case
	Set Stator to: ---	11	13	15.5	15.5	11 thru 15 (Line Psi)

\* Stator settings to a lower number than factory will speed up rotation speed and shorten radius.  
 \* Stator settings to a larger number than factory will slow rotation speed or cause non-rotation.

Note: Part numbers enclosed in brackets ( ) are not available individually, but may be sold in assemblies or kits.



Ref.Part Description	Qty	1150-E	1150-S	1150-H
<b>SNAP RINGS</b>				
1 Snap Cover (all models)	1	212204-01	212204-01	212204-01
<b>RUBBER COVER KIT</b>				
2 Rubberized Snap Cover	1	212491-01	212491-01	212491-01
21 Rubber Cover, Housing	1	212267	212267	212267
NS Rubber Case Cover	1	212490	212490	212490
6 O-Ring, Screw	2	209778	209778	209778

<b>INTERNAL ASSEMBLY</b>				
3 Internal Assembly (A)	1	212439-xx	212439-xx	212439-xx

<b>COVER ASSEMBLY</b>				
4 Screw, Self Tapping #1/4-15	2	210975	210975	210975
5 Insert, Diffuser Housing -01,02,03,04	1	212217-xx	212217-xx	212217-xx
5A Insert, Diffuser Housing (Purple)	1	212217-09	212217-09	212217-09
6 O-Ring, Screw	3	209778	209778	209778
22 Arc Adjustment Shaft	1	212237	212237	212237

<b>NOZZLES (Please specify nozzle size when ordering - See below)</b>				
- Nozzle/Housing Kit	1	212609-xx	212609-xx	212609-xx
- Nozzle/Housing Kit (Purple)	1	212610-xx	212610-xx	212610-xx
7 Housing, Nozzle	1	-	-	-
8 Nozzle Assembly, Range	1	212604-xx	212604-xx	212604-xx
9 Nozzle Assembly, Spreader Dual	1	212611	212611	212611
10 Seal, Retract (Nozzle Housing)	1	-	-	-
18 Screen, Riser	1	212178	212178	212178
- Nozzle Kit without Housing	1	212689-xx	212689-xx	212689-xx
- Nozzle Kit without Housing (Purple)	1	212690-xx	212690-xx	212690-xx

<b>BEARING/RISER-MOTOR ASSEMBLY</b>				
11 O-Ring Nozzle Housing	1	212255	212255	212255
12 Guide, Bearing	1	-	-	-
13 O-Ring, Bearing Guide	1	212383	212383	212383
14 Spring, Retract	1	-	-	-
15 Riser Motor Assembly	1	212436	212436	212436
16 Seal, Riser-Pop-Up	1	212172	212172	212172
17 Motor Housing (Replacement)	1	212102	212102	212102
20 Stator Assembly - Common	1	212606	212606	212606

**CASE ASSEMBLY (Please refer to EAGLE 900/950 Series, catalog number 468)**

NS = Not Shown

Specify nozzle size when ordering. Available in #48, 57, 63, 66

xx - Indicated nozzle size; i.e., #48 Blue, #57 Yellow, #63 Orange, #66 Green

**\*Stator Setting Configurations Factory**

Color of Range Nozzle	Number	Electric Case Pressure Setting				Hyd/SAM
		Psi (bars)				
		70(4,8)	80(5,5)	100(6,9)	120(8,3)	Set per Base Psi
Blue	#48	70	80	100	120	PRS/Case
	Set Stator to: ---	6	7	9	10	8 thru 11 (Line Psi)
Yellow	#57	70	80	100	120	PRS/Case
	Set Stator to: ---	8	9	10	11	8 thru 13 (Line Psi)
Orange	#63	70	80	100	120	PRS/Case
	Set Stator to: ---	9	12	14	14.5	8 thru 15 (Line Psi)
Green	#66	70	80	100	120	PRS/Case
	Set Stator to: ---	11	13	15.5	15.5	11 thru 15 (Line Psi)

\* Stator settings to a lower number than factory will speed up rotation speed and shorten radius.

\* Stator settings to a larger number than factory will slow rotation speed or cause non-rotation.

Note: Part numbers enclosed in brackets ( ) are not available individually, but may be sold in assemblies or kits.