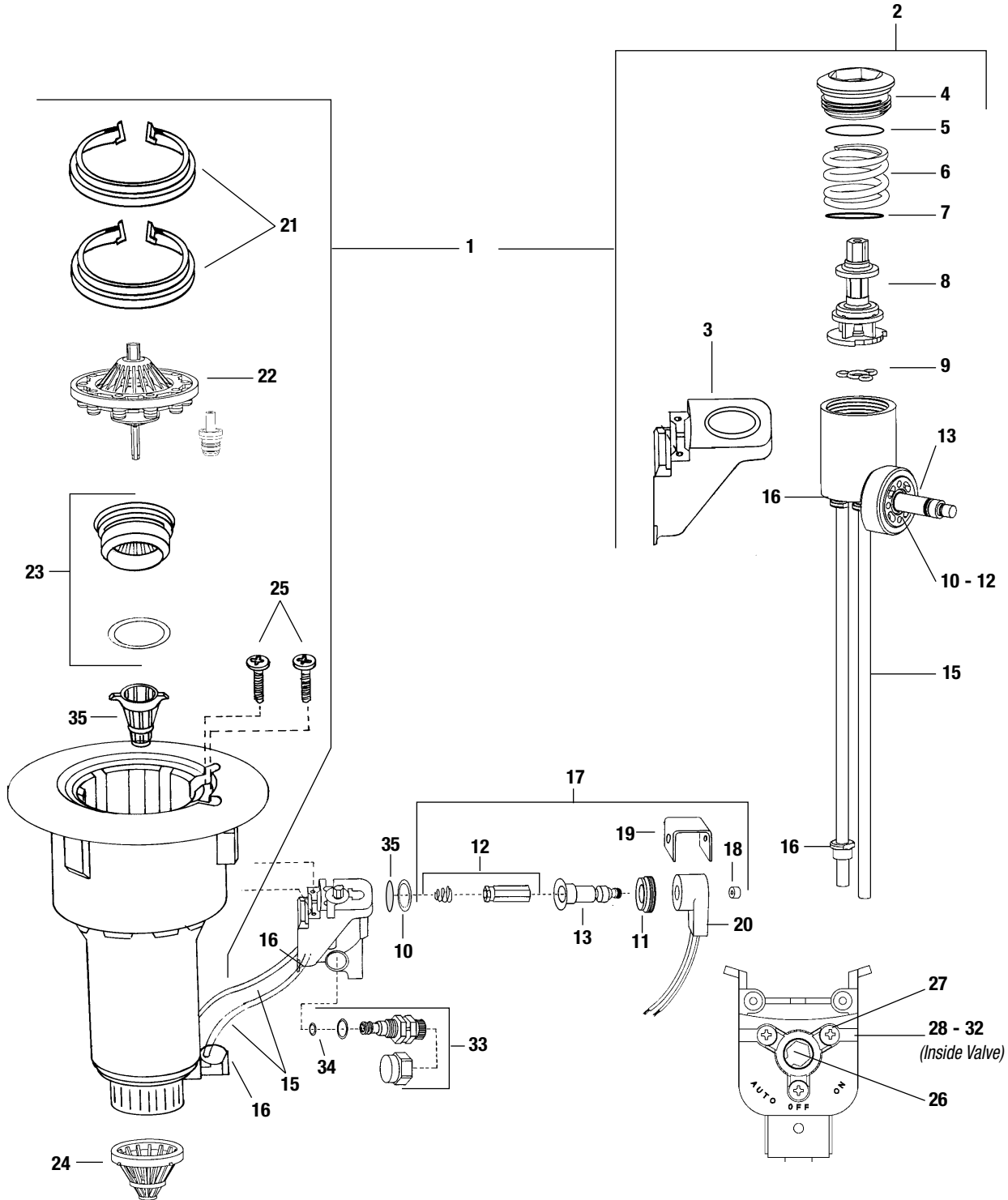


**NEW PRS/SELECTOR VALVE ASSEMBLY WITH ADAPTER  
OLD PRS/SELECTOR VALVE PARTS**



Ref. Part Description	91DR	91DS	91DH
<b>CASE ASSEMBLY WITH NEW PRS/SELECTOR VALVE (Post 5/93)</b>			
1 Case Assembly (NPT)	207995-01	208514-01	208568-01
1 Case Assembly (BSP)	207995-02	208514-02	(208568-02)
2 PRS/Selector Assembly	210808-03	—	—
3 Selector Adapter	(210243)	—	—
4 Cover, Threaded	(A) (210832)	—	—
5 O-Ring, Stem Cover	(A) (211164)	—	—
6 Spring, Compression	(209574)	—	—
7 Selector Washer	(210040)	—	—
8 PRS Cartridge	(A)	—	—
9 Seal, Selector	(A) 211663	—	—
10 O-Ring, Solenoid Base	211237	—	—
11 Base Nut	602606	—	—
12 Plunger Assembly	629453	—	—
13 Tube, Welded	630028	—	—
15 Tubing (2)	205920-02	205920-02	—
16 Ferrule (2-DR, 1-DH)	206409	—	206409
17 Solenoid Assembly	206920-01	—	—
11 Base Nut	602606	—	—
12 Plunger Assembly	629453	—	—
13 Tube, Welded	630028	—	—
18 Retainer, Rubber	627167	—	—
19 U-Frame	210914	—	—
20 Coil	602118	—	—
21 Snap Ring, Lower (2)	208396	208396	208396
22 HPDV Valve Assembly	211266	212323	212323
- Probe & O-ring Assembly	207402	207402	207402
23 Inlet Adapter	207654	207654	207654
24 Inlet Screen (Post-7/93)	209923	209923	209923
<b>VALVE REPAIR KITS - OLDER MODELS</b>			
- DV Valve Filter Repair Kit	207166	—	—
- HFDV Repair Kit (for stainless steel valve)	207594	208439	208439
<b>OLD SELECTOR VALVE PARTS (Pre 5/93)</b>			
25 Selector Valve Screws 6-20 (2) (3/89-5/93)	(206425)	—	—
- Selector Valve Stem Repair Kit	210069	—	—
26 Stem Assembly	(207964)	—	—
27 Screws (3)	(207929)	—	—
28 O-Ring (4)	(B) 211238	—	—
29 Compression Spring	(204924)	—	—
30 Spring Washer (2 or 3)	(C) (202135)	—	—
31 Seal Washer	(C) 204942	—	—
32 Seal O-Ring	(C) 209656	—	—
33 Pressure Regulator	208206	—	—
34 O-Ring, Selector Valve	203026	—	—
10 O-Ring, Solenoid Base	202882	—	—
17 Solenoid Assembly	206920-01	—	—
11 Base Nut	602606	—	—
12 Plunger Assembly	629453	—	—
13 Tube, Welded	630028	—	—
18 Retainer, Rubber	627167	—	—
19 U-Frame	210914	—	—
20 Coil	602118	—	—
15 Tubing (2)	205920-02	205920-02	—
16 Ferrule (2-DR, 1-DH)	206409	—	206409
35 Screen	203327	—	—

(A) Included in new style PRS/Selector Repair Kit # 210166.

(B) Selector Valves made before 6/88 used three (3) O-Rings #211238.

(C) Selector Valves made between 6/88 and 8/91 used three (3) Spring Washers and one (1) Seal Washer # 204942. Valves made after 8/91 use two (2) Spring Washers and one (1) Seal O-Ring # 209656.

Note: Part numbers enclosed in brackets ( ) are not available individually, but may be sold in assemblies or kits.