

Ref. Part Description	47DR 51DR	47DS 51DS	47DH 51DH
CASE ASSEMBLIES			
1 Case Assembly (NPT)	207955-03	208456-01	208564-01
1 Case Assembly (BSP)	207955-04	208456-02	(208564-02)
2 PRS/Selector Assembly	210808-03	—	—
3 Cover, Threaded	(A)	—	—
4 O-Ring, Stem Cover	(A)	—	—
5 Spring, Compression	(209574)	—	—
6 Selector Washer	(210040)	—	—
7 PRS Cartridge	(A)	—	—
8 Seal, Selector	(A) 211663	—	—
9 O-Ring, Solenoid Base	211237	—	—
10 Base Nut	602606	—	—
11 Plunger Assembly	629453	—	—
12 Tube, Welded	630028	—	—
13 Tubing (2)	205920-02	205920-02	—
14 Ferrule, Barbed (2)	206409	—	206409
15 Solenoid Assembly	206920-01	—	—
10 Base Nut	602606	—	—
11 Plunger Assembly	629453	—	—
12 Tube, Welded	630028	—	—
16 Retainer, Rubber	627167	—	—
17 U-Frame	210914	—	—
18 Coil	602118	—	—
19 Snap Ring, Lower (2)	208396	208396	208396
20 HPDV Valve Assembly	211266	212323	212323
- Seal, Inlet (Not Shown)	211197	211197	211197
21 Valve Nut	—	212220	212220
22 Filter, Universal	206092	—	—
23 Probe & O-ring Assembly	207402	207402	207402
24 Top-Serviceable Rock Screen (>6/98)	211714-02	211714-02	211714-02
- O-Ring, Rock Screen	210366	210366	210366
- HFDV Repair Kit (for stainless steel valve) (<3/00)	207594	208439	208439
- Inlet Adapter Kit (<6/98) (B, C)	207654	207654	207654
25 Screen, Inlet (<6/98)	209923	209923	209923

(A) Included in PRS/Selector Repair Kit # 210166.

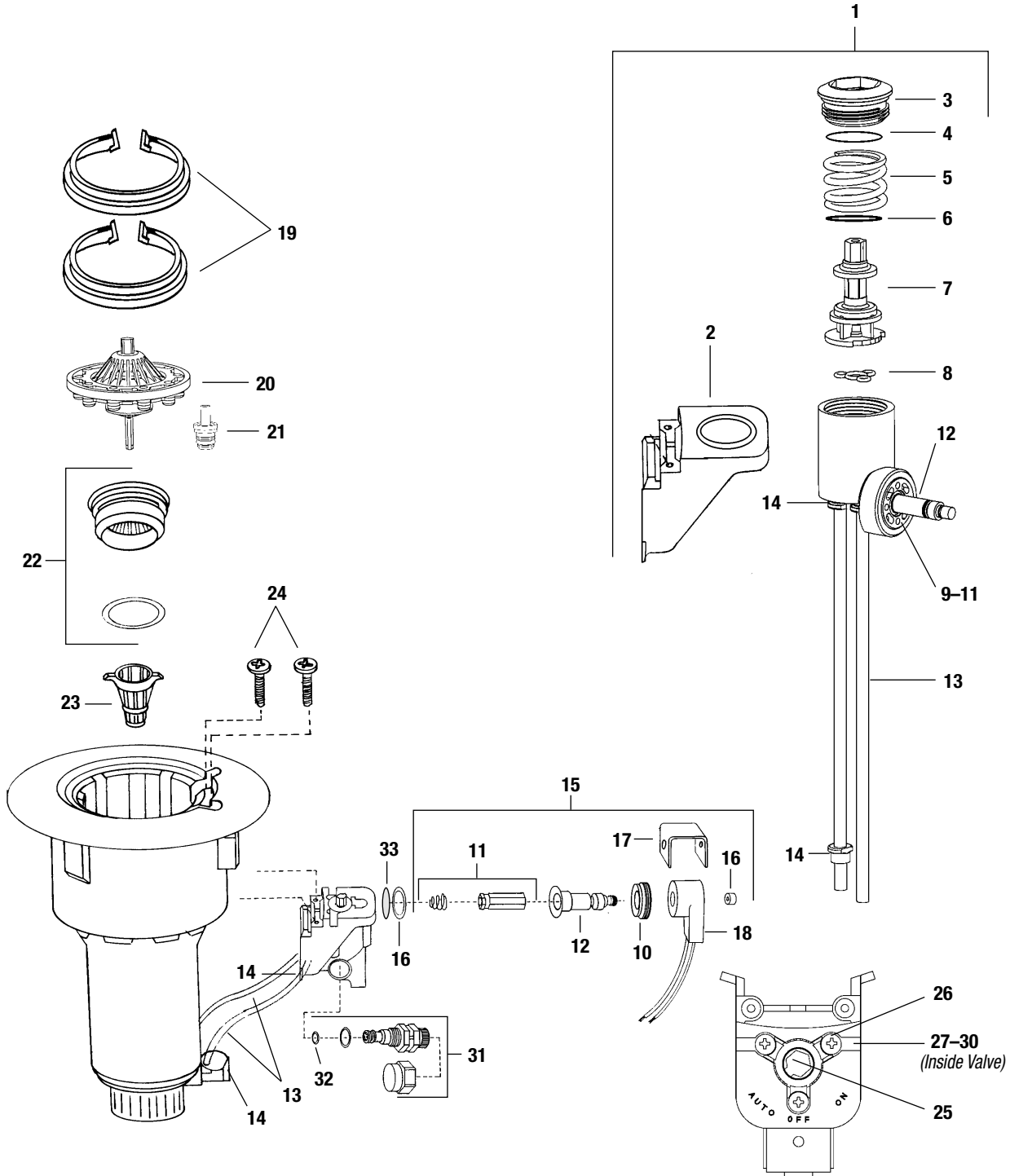
(B) Inlet adapter required on one-piece cases made between 5/87 to 6/98. After 6/98 the top-serviceable rock screen and valve seat is included in the one-piece case (#211714-02).

(C) Inlet adapter kits require the use of the seat insertion tool D02235. To remove a worn or damaged seat, use the seat removal adapter tool D02245 in conjunction with D02235.

47DR / 47DS / 47DH / 51DR / 51DS / 51DH - OLD 2-PIECE CASE (PRE 5/93)

NEW PRS/SELECTOR VALVE WITH ADAPTER

OLD PRS/SELECTOR VALVE PARTS



**47DR / 47DS / 47DH / 51DR / 51DS / 51DH - OLD 2-PIECE CASE (PRE 5/93)
NEW PRS/SELECTOR VALVE WITH ADAPTER
OLD PRS/SELECTOR VALVE PARTS**

Ref. Part Description	47DR	47DS	47DH
	51DR	51DS	51DH
NEW PRS/SELECTOR VALVE ASSEMBLY WITH ADAPTER			
1 PRS/Selector Assembly	210808-03	—	—
2 Selector Adapter	(210243)	—	—
3 Cover, Threaded	(A) (210832)	—	—
4 O-Ring, Stem Cover	(A) 209563	—	—
5 Spring, Compression	(209574)	—	—
6 Selector Washer	(210040)	—	—
7 PRS Cartridge	(A)	—	—
8 Seal, Selector	(A) 211663	—	—
9 O-Ring, Solenoid Base	202882	—	—
10 Base Nut	602606	—	—
11 Plunger Assembly	629453	—	—
12 Tube, Welded	630028	—	—
13 Tubing (2)	205920-02	205920-02	—
14 Ferrule, Barbed (2)	206409	—	206409
OLD SELECTOR VALVE PARTS (Pre 5/93)			
24 Selector Valve Screws 6-20 (2)	(206425)	—	—
– Selector Valve Stem Repair Kit (3/89–5/93)	210069	—	—
25 Stem Assy	(207964)	—	—
26 Screws (3)	(207929)	—	—
– O-Ring (4)	(B) 211238	—	—
27 Compression Spring	(204924)	—	—
28 Spring Washer (2 or 3)	(C) (202135)	—	—
29 Seal Washer	(C) 204942	—	—
30 Seal O-Ring	(C) 209656	—	—
31 Pressure Regulator	208206	—	—
32 O-Ring, Selector Valve	203026	—	—
9 O-Ring	202882	—	—
10 Base Nut	602606	—	—
11 Plunger Assembly	629453	—	—
12 Tube, Welded	630028	—	—
33 Screen	203327	—	—
13 Tube (2)	205920-02	205920-02	—
SOLENOID ASSEMBLY - ALL CASE TYPES			
15 Solenoid Assembly	206920-01	—	—
10 Base Nut	602606	—	—
11 Plunger Assembly	629453	—	—
12 Tube, Welded	630028	—	—
16 Retainer, Rubber	627167	—	—
17 U-Frame	210914	—	—
18 Coil	602118	—	—

Ref. Part Description	47DR	47DS	47DH
	51DR	51DS	51DH
2-PIECE CASE PARTS			
19 Lower Snap Rings (2)	208396	208396	208396
20 HPDV Valve	211266	212323	212323
– HFDV Repair Kit (for stainless steel valve)	207594	208439	208439
21 Probe & O-Ring Assembly	207402	207402	207402
22 Inlet Adapter Kit (D, E)	207654	207654	207654
23 Inlet Screen	209923	209923	209923
14 Ferrule (4-DR,2-DS,1-DH)	206409	206409	206409

VALVE REPAIR KITS - OLDER MODELS

– DV Valve Filter Repair Kit	207166	—	—
------------------------------	--------	---	---

- (A) Included in new style PRS/Selector Repair Kit # 210166.
- (B) Selector Valves made before 6/88 used three (3) O-Rings # 211238.
- (C) Selector Valves made between 6/88 and 8/91 used three (3) Spring Washers and one (1) Seal Washer # 204942. Valves made after 8/91 use two (2) Spring Washers and one (1) Seal O-Ring # 209656.
- (D) For pre-1998 cases that used the old DV brass valve. New valve assemblies HFDV and HPDV do not require the inlet adapter kit.
- (E) Inlet adapter kits require the use of the seat insertion tool D02235. To remove a worn or damaged seat, use the seat removal adapter tool D02245 in conjunction with D02235.

Note: Part numbers enclosed in brackets () are not available individually, but may be sold in assemblies or kits.