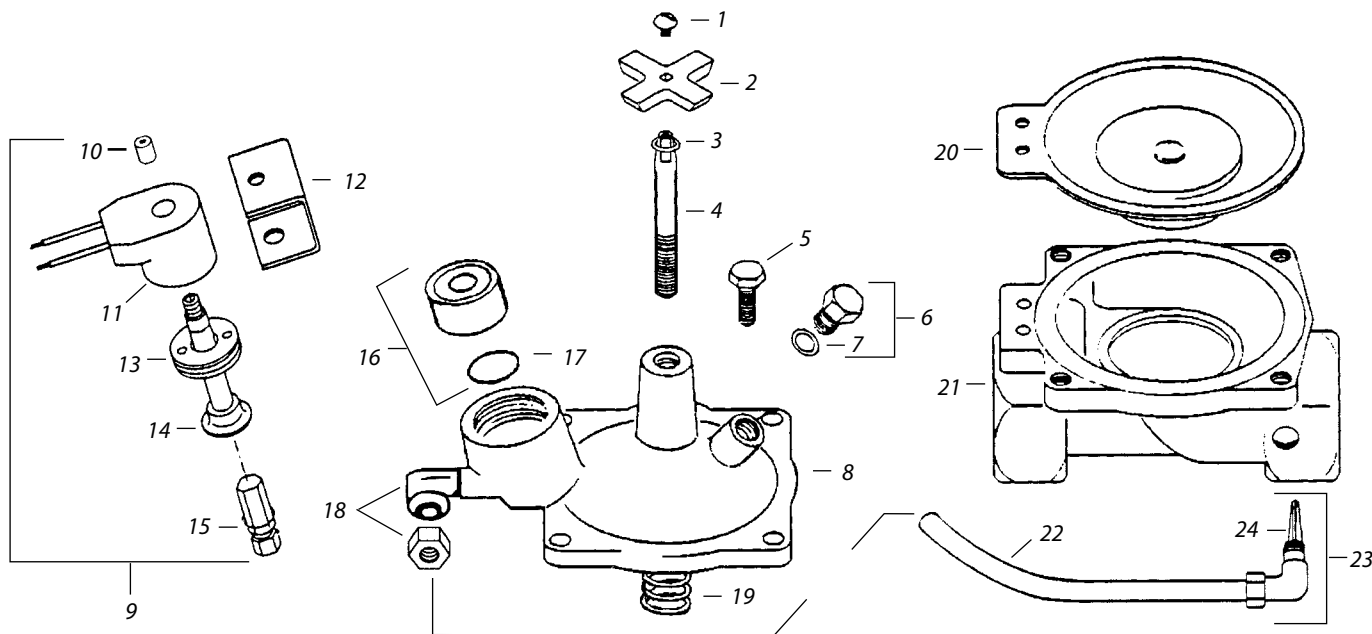




125 / 150 / 200 EF-CP AND
100 / 125 / 150 / 200EFA-CP SERIES



Ref. Part Description	125EF-CP	150EF-CP	200EF-CP	100EFA-CP	125EFA-CP	150EFA-CP	200EFA-CP
BONNET ASSEMBLY							
1 Screw	202502	202502	202502	202502	202502	202502	202502
2 Handle, flow control	209356	209356	209356	209356	209356	209356	209356
- NP Handle (sold separately)	231238	231238	231238	231238	231238	231238	231238
3 O-ring, flow control	202515	202515	202515	202515	202515	202515	202515
4 Stem, flow control	202667	202667	202667	202600	202667	202667	202667
5 Bolts (A)	202507	202507	202507	202507	202507	202507	202507
6 Bleed screw assembly	202669	202669	202669	202669	202669	202669	202669
7 O-ring, bleed screw	202668	202668	202668	202668	202668	202668	202668
8 Bonnet	-	-	-	(202558)	-	-	-
- Bonnet, B style	-	209814-03	209814-04	-	209814-02	209814-03	209814-04
- Bonnet assembly, B style	-	209369-03	209369-04	209369-01	209369-02	209369-03	209369-04
- Solenoid, EZ Bleed (B style)	-	209532-02	209532-02	-	209532-02	209532-02	209532-02
SOLENOID ASSEMBLY							
9 SOLENOID ASSEMBLY	206920-01	206920-01	206920-01	206920-01	206920-01	206920-01	206920-01
10 Rubber retainer	627167	627167	627167	627167	627167	627167	627167
11 Coil	602118	602118	602118	602118	602118	602118	602118
12 U-Frame	210914	210914	210914	210914	210914	210914	210914
13 Nut, base (brass)	602142	602142	602142	602142	602142	602142	602142
- Nut, base (plastic)	-	-	-	602606	602606	602606	602606
14 Tube, welded	630028	630028	630028	630028	630028	630028	630028
15 Plunger/spring assembly	629453	629453	629453	629453	629453	629453	629453
16 Fluid resistor assembly	207400	207401	207401	207399	207400	207401	207401
17 O-ring	203316	203316	203316	203316	203316	203316	203316
LOWER ASSEMBLY							
18 Elbow	202581	202581	202581	202581	202581	202581	202581
19 Diaphragm spring	(202516)	202542	202542	202528	(202516)	202542	202542
20 Diaphragm	202511	202520	203500	202868	203604	202614	202615
21 Body, NPT	-	-	-	(205854)	202565	202606	202609
22 Nylon tube	202598	202598	202598	202598	202598	202598	202598
23 Filter assembly	202579	202579	202579	202579	202579	202579	202579
24 Filter	206092-02	206092-02	206092-02	206092-02	206092-02	206092-02	206092-02

(A) 200 series requires 6 bolts, all others require 4 bolts.-

Note: Part numbers enclosed in brackets () are not available individually, but may be sold in assemblies or kits.